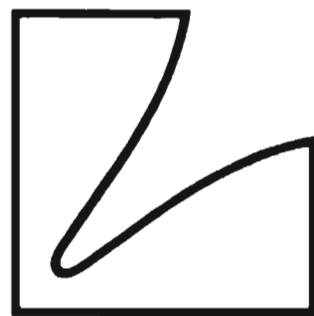
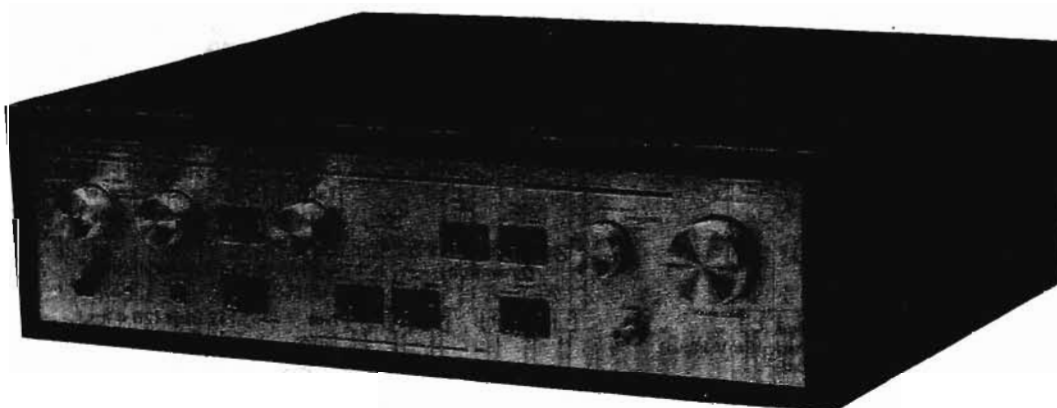


# SERVICE MANUAL

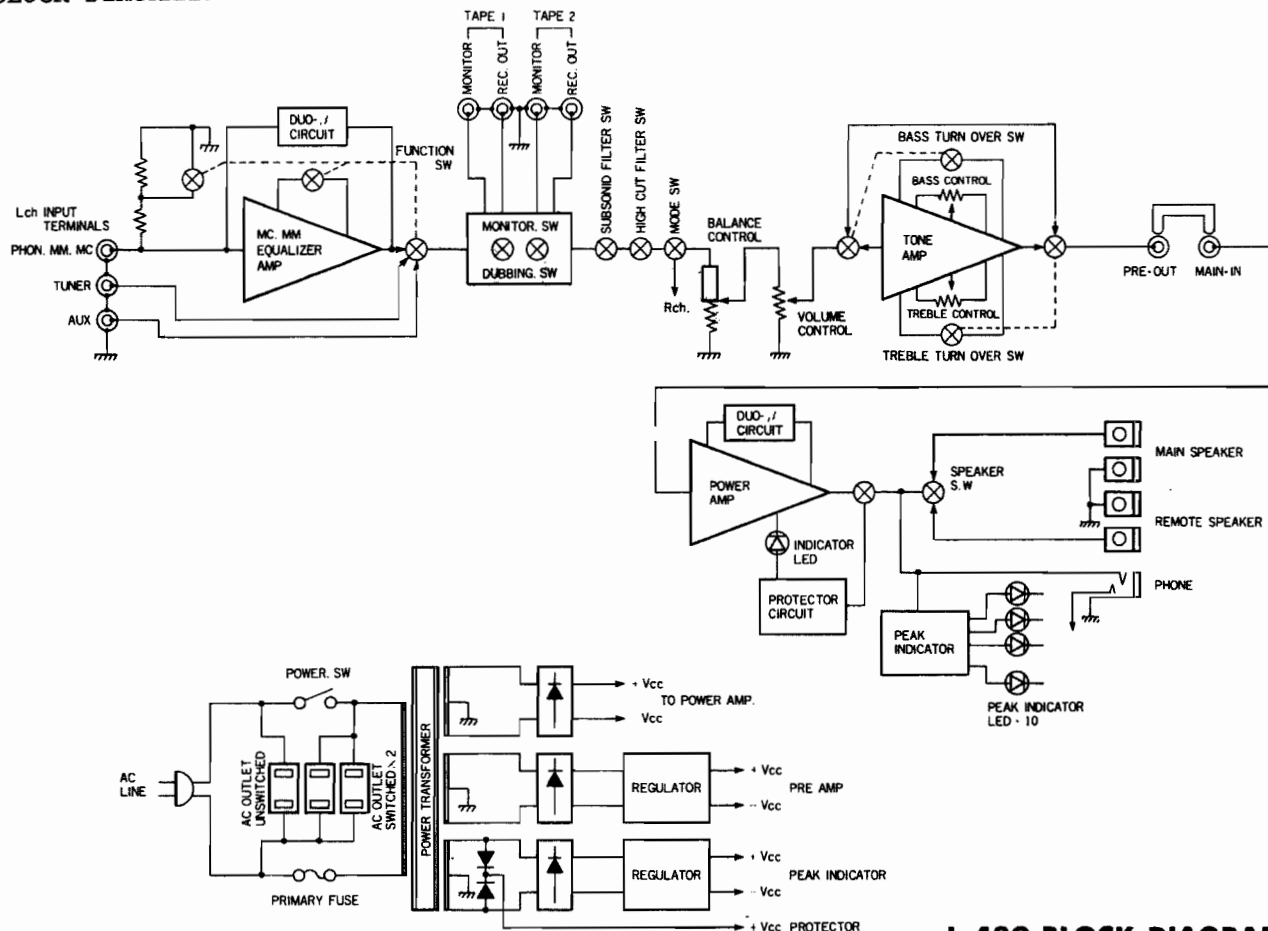


SOLID STATE STEREO  
INTEGRATED AMPLIFIER

# L-480



## BLOCK DIAGRAM



L-480 BLOCK DIAGRAM

## SPECIFICATIONS

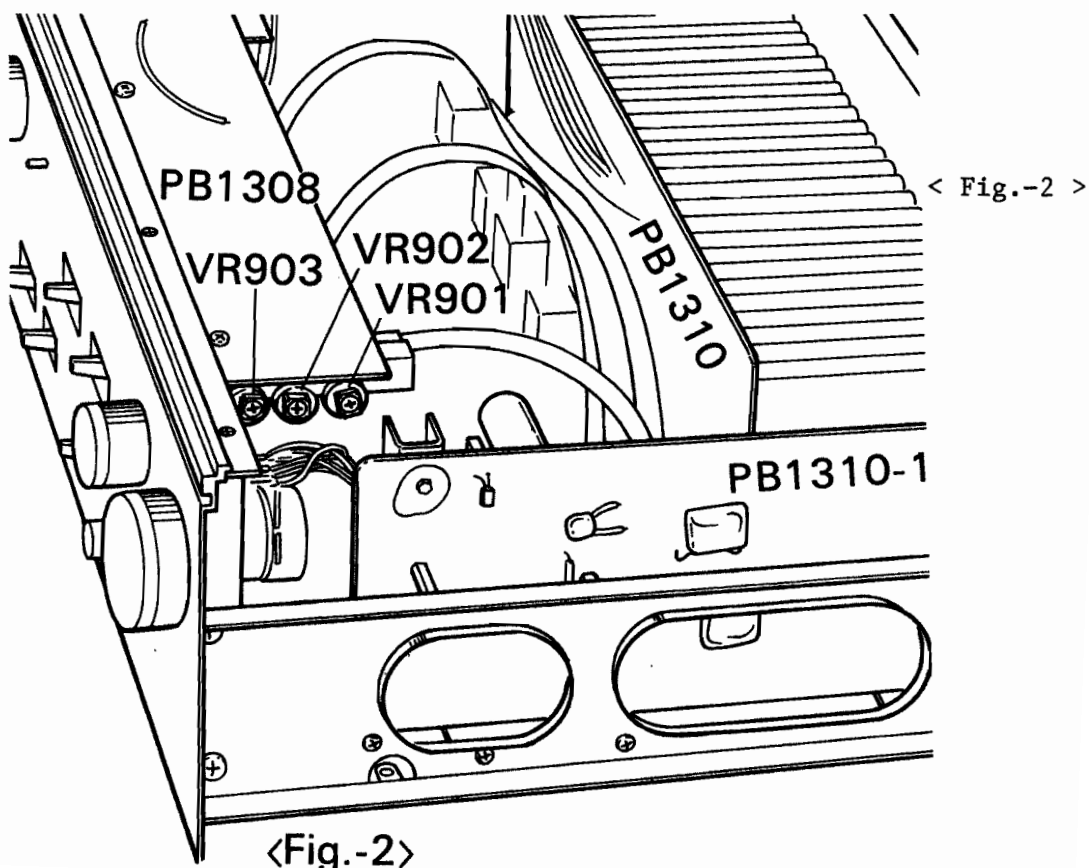
Power Output:	70 watts minimum continuous per channel both channels driven into 8 ohms load at any frequency from 20 Hz to 20,000Hz with no more than 0.03% total harmonic distortion	Frequency Response:	phono(MM); 20Hz - 20,000Hz ( $\pm 0.3$ dB) phono(MC); 20Hz - 20,000Hz ( $\pm 0.3$ dB) tuner; 10Hz - 100,000Hz (-1dB) aux; 10Hz - 100,000Hz (-1dB) main in; 10Hz - 100,000Hz (-1dB)
Rated I.M.:	no more than 0.03% (70W/ch, 8 ohms, 60Hz : 7kHz = 4 : 1)	Tone Control:	LUX NF type with Turnover Frequency Selector Bass Turnover Frequency: 200Hz, 400Hz Treble Turnover Frequency: 2kHz, 4kHz
Input Sensitivity:	phono(MM); 1.2mV phono(MC); 300 $\mu$ V tuner; 190mV aux; 190mV main in; 190mV	Pre-amplifier Output:	190mV
Input Impedance:	phono(MM); 50k ohms phono(MC); 100 ohms tuner; 50k ohms aux; 50k ohms main in; 820k ohms	Additional Features:	Subsonic Filter, High Cut Filter, Tape Monitor Switch, Tape Dubbing Switch, Speaker Selector, MC Equalizer Circuit, Headphone Jack, Peak Level Indicators.
Signal-to-Noise Ratio:	phono(MM); better than 94dB (IHF-A weighted, 10mV input) phono(MC); better than 70dB (IHF-A weighted, input short-circuited) tuner; better than 105dB (IHF-A weighted, input short-circuited) aux; better than 105dB (IHF-A weighted, input short-circuited) main in; better than 105dB (IHF-A weighted, input short-circuited)	Power Consumption:	125V 3A
		Dimensions:	466(W) x 333(D) x 145(H)mm (18-11/32" x 13-1/8" x 5-23/32")
		Weight:	Net 12.0kgs (26.4 lbs.) Gross 13.5kgs (29.7 lbs.)
		Specifications and appearance design subject to change without notice.	

## &lt; Power indicators level Adjustment &gt;

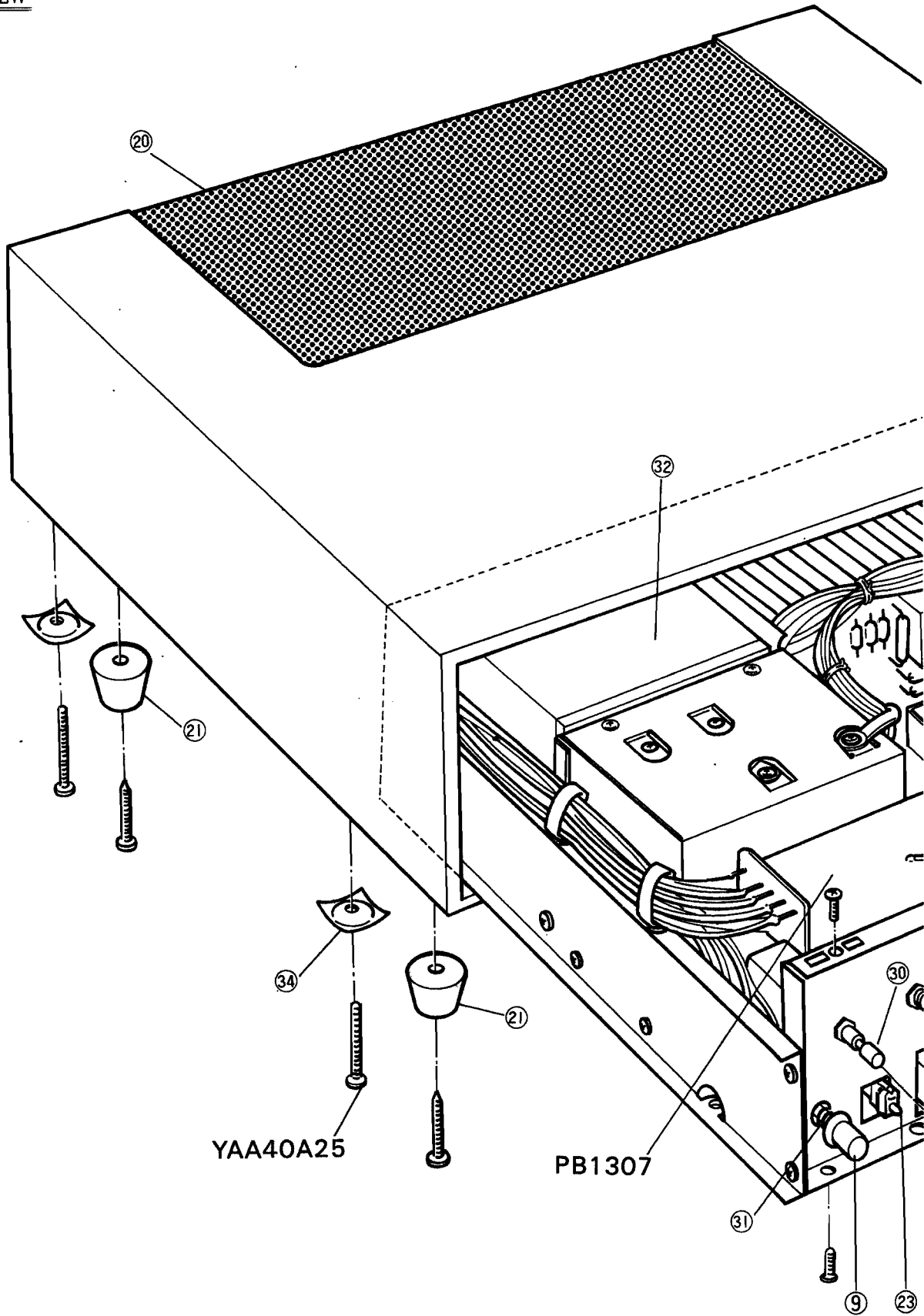
## (1) Set up of Amplifier

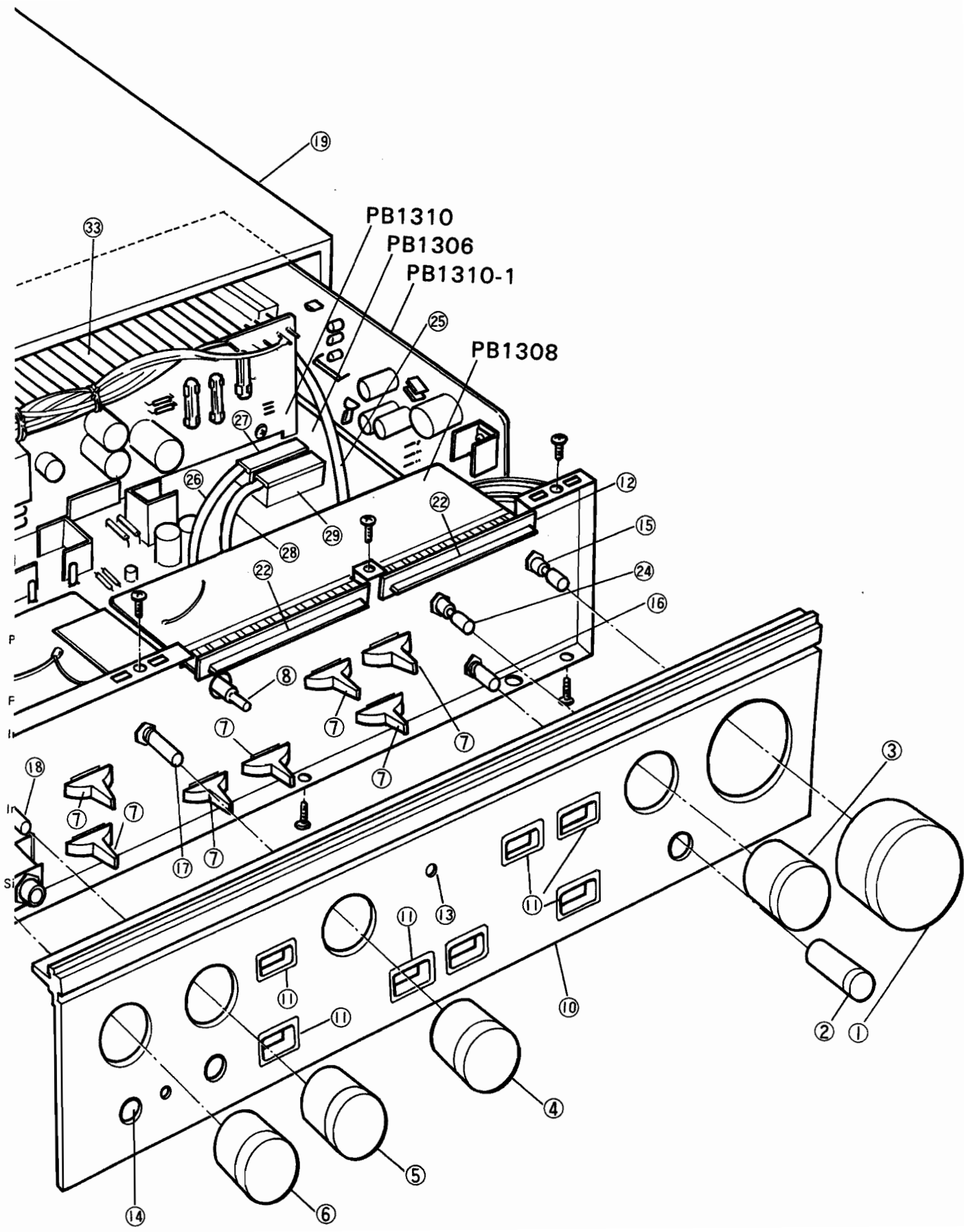
VOLUME CONTROL-----Maxmam  
 INPUT -----Tuner  
 TONE, FILTER -----Defeet, OFF  
 POWER IND. SW. -----ON Position  
 LOAD -----NON Use

- (2) Feed the 1KHZ sine wave to the tuner input, and adjust the input level to get 23.7 V at the output.
- (3) Adjust the VR901 and VR902 on the PB1308 to light up the 70 W LED indicator. < Fig.-2 >
- (4) Adjust the input level to get 0.4V output.
- (5) Adjust the VR 903 on the PB1308 to let only the 0.02W LED indicator light up at the left channel.
- (6) Again set the output at 23.7V and adjust the VR 902 to let the 70W LED illuminate.
- (7) Repeat the Steps (3) - (6) until the output level accords to the LED indicator, But do not touch the VR 901.



EXPLODED VIEW





## REPLACEMENT PARTS LIST ... (Exploded View)

REF. NO.	STOCK NO.	DESCRIPTION
< Knob >		
1	WH1100	Volume Control
2	WH1102	Balance Control
3	WH1101	Input Selector
4	WH1101	Treble Control
5	WH1101	Bass Control
6	WH1101	Speaker Selector
7	WJ1121	Lever Switch
8	WJ1134	Power Indicator SW.
9	WJ1133	Power Switch
< Front Panel Ass'y >		
10	WJ1192	Front Panel
11	WD1122	Escutcheon (Lever. SW.)
12	WD1121	" (LED)
13	WE1086	Protector (Output IND.)
14	WE1089	" (Power SW.)
< Variable Resistor >		
15	RV0248	Volume Cont. 50K AA
16	RV0257	Balance Cont. 250K MN
17	RV0247	Treble Cont. 50K BB
18	RV0247	Bass Cont. 50K BB
< Cabinet >		
19	WB1076	Wooden Case
20	—	Ventilator
21	WN1019	Foot
< LED >		
22	TD0134	Output Level (TLR205)
23	TD0196	Pilot Lamp (SLR-30UR)
	AS0188	Socket
< Switch >		
24	SR0136	Input Selec. (Rotary)
25	SZ0134	(Wire)
	SS5018	(SW. Slide)
SW401	SL0057	Tape Monitor (Lever)
26	SZ0133	(Wire)
27	SS5020	(SW. Slide)
SW402	SL0057	Tape Dubbing (Lever)
28	SZ0133	(Wire)
29	SS5020	(SW. Slide)
30	SR0135	Speaker Selector
SW203	SL0050	Mode
SW202	SL0050	High Cut Filter
SW201	SL0050	Subsonic Filter
SW302	SL0052	Frequency Select. (treble)
SW301	SL0052	Frequency Selec. (Bass)
SW901	SP0156	Output Level Ind.
31	SP0063	Power SDG5P-TV5CSA(U)
31	SP0090	SWS5P502(E)

REF. NO.	STOCK NO.	DESCRIPTION
< Power Transformer >		
32	PT2423	P-2423 120V (UZ)
32	PT2423A	P-2423A 120V (C.S.A.)
32	PT2423E	P-2423E 220, 240V (E)
< Rear Panel >		
	UC1151	Rear Panel
	AC0050	AC Outlet S-I6488 (U)
	AC0010	MD-40 (E)
	AH0002	Fuse Folder, Protection
< Power cond >		
	BK0019	UP-720-001 (U)
	BK0022	C-2-461-B (E)
< Terminal >		
	AT0123	Phono
	AT0078	Tuner, Aux
	AT5018	Tape 1 - Rec Out, Moni.
	AT5018	Tape 2 - Rec Out, Moni.
	AT5018	Pre Out, Main In.
	AT0080	Speaker

E : 220 Volt (With Line Voltage Selector)  
 U : 120 Volt only  
 CSA: 120 Volt only (For Canada)

Replacement Parts List ... (P.C.B.)REMARKS

Capacitor: My...Mylar, El...Electrolitic, St...Styrol, Ce...Ceramic  
 Mi...Mica, Ta...Tantalum, Lp...Line pass(AC Cap.)  
 Tm...Trimmer, Ac...AC Capacitor, Fi...Film Cap.

Resistor: Rd...Carbon, Rc...Cement, Rm...Metal Film, Rf...Flame proof  
 Ro...Oxid Metal,  
+5%,0.25W, unless specified otherwise.

PB-1306

SYMBOL NO.	PARTS NO.	DESCRIPTION		
C201A	CQ0004	0.15 $\mu$ F	50WV	My
C201B	CQ0004	0.15 $\mu$ F	50WV	My
C202A	CQ0004	0.15 $\mu$ F	50WV	My
C202B	CQ0004	0.15 $\mu$ F	50WV	My
C203A	CQ0021	0.0033 $\mu$ F	50WV	My
C203B	CQ0021	0.0033 $\mu$ F	50WV	My
C204A	CQ0018	0.0056 $\mu$ F	50WV	My
C204B	CQ0018	0.0056 $\mu$ F	50WV	My
C301A	CQ0026	0.001 $\mu$ F	50WV	My
C301B	CQ0026	0.001 $\mu$ F	50WV	My
C302A	CE2040	10 $\mu$ F	50WV	El
C302B	CE2040	10 $\mu$ F	50WV	El
C305A	CQ0008	0.056 $\mu$ F	50WV	My
C305B	CQ0008	0.056 $\mu$ F	50WV	My
C306A	CQ0008	0.056 $\mu$ F	50WV	My
C306B	CQ0008	0.056 $\mu$ F	50WV	My
C307A	CQ0015	0.012 $\mu$ F	50WV	My
C307B	CQ0015	0.012 $\mu$ F	50WV	My
C308A	CQ0018	0.0056 $\mu$ F	50WV	My
C308B	CQ0018	0.0056 $\mu$ F	50WV	My
C309A	CM0050	10pF	500WV	Mi
C309B	CM0050	10pF	500WV	Mi
C311A	CQ0026	0.001 $\mu$ F	50WV	My
C311B	CQ0026	0.001 $\mu$ F	50WV	My
C312	CE0843	100 $\mu$ F	35WV	El
C313	CE0843	100 $\mu$ F	35WV	El
C401A	CM0057	22pF	500WV	Mi
C401B	CM0057	22pF	500WV	Mi
C402A	CE2042	47 $\mu$ F	50WV	El
C402B	CE2042	47 $\mu$ F	50WV	El
C403A	CE2042	47 $\mu$ F	50WV	El
C403B	CE2042	47 $\mu$ F	50WV	El
C404A	CM0106	10pF	500WV	Mi
C404B	CM0106	10pF	500WV	Mi
C405A	CM0106	10pF	500WV	Mi
C405B	CM0106	10pF	500WV	Mi
C413A	CQ0026	0.001 $\mu$ F	50WV	My
C413B	CQ0026	0.001 $\mu$ F	50WV	My
C414A	CE0818T	22 $\mu$ F	16WV	El
C414B	CE0818T	22 $\mu$ F	16WV	El



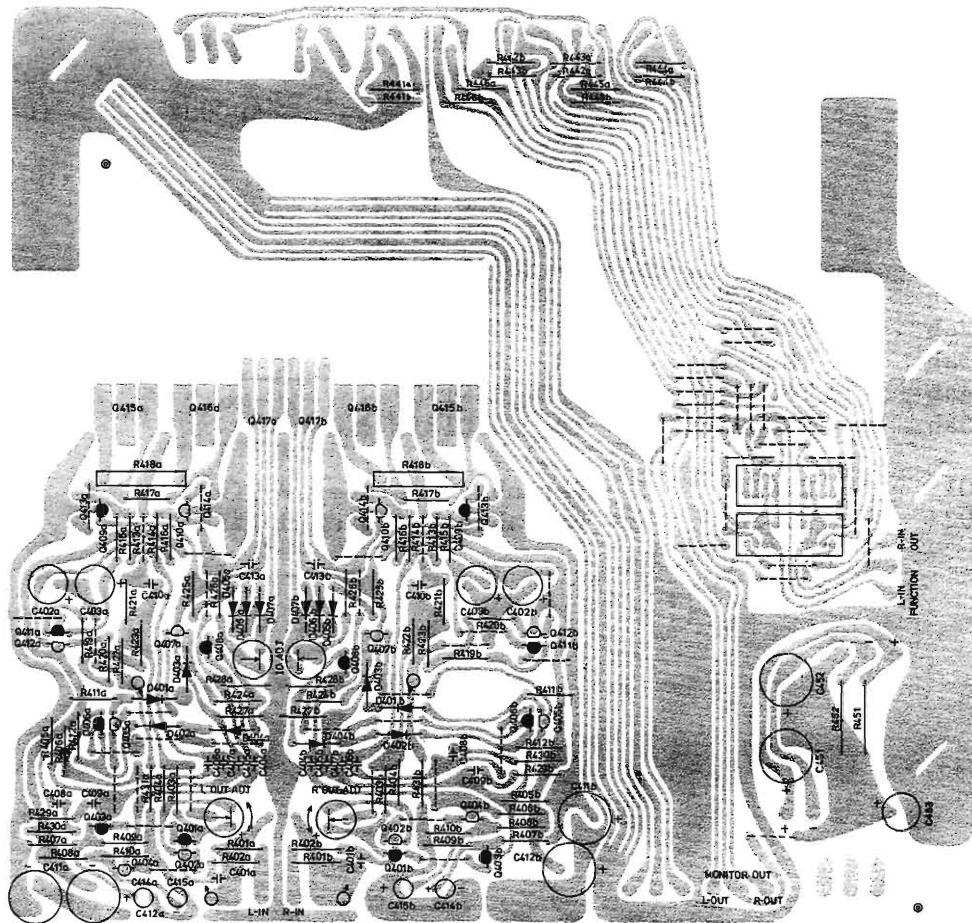
SYMBOL NO.	PARTS NO.	DESCRIPTION		
C415A	CE0818T	22 $\mu$ F	16WV	E1
C415B	CE0818T	22 $\mu$ F	16WV	E1
C451	CE0869	470 $\mu$ F	63WV	E1
C452	CE0869	470 $\mu$ F	63WV	E1
D403A	TD0053T	Diode	1S2473	
D403B	TD0053T	Diode	1S2473	
D404A	TD0053T	Diode	1S2473	
D404B	TD0053T	Diode	1S2473	
D405A	TV0020	Varistor	STV-3H	
D405B	TV0020	Varistor	STV-3H	
D406A	TV0020	Varistor	STV-3H	
D406B	TV0020	Varistor	STV-3H	
D407A	TV0020	Varistor	STV-3H	
D407B	TV0020	Varistor	STV-3H	
Q401A	TF0028	FET 2SK170-BL-PAIR		
Q401B	TF0028	FET 2SK170-BL-PAIR		
Q402A	TF0029	FET 2SJ74-BL-PAIR		
Q402B	TF0029	FET 2SJ74-BL-PAIR		
Q403A	TR0198	2SC1815		
Q403B	TR0198	2SC1815		
Q404A	TR0087	2SA1015		
Q404B	TR0087	2SA1015		
Q405A	TR0087	2SA1015		
Q405B	TR0087	2SA1015		
Q406A	TR0198	2SC1815		
Q406B	TR0198	2SC1815		
Q407A	TR0237	2SA949		
Q407B	TR0237	2SA949		
Q408A	TR0236	2SC2229		
Q408B	TR0236	2SC2229		
Q409A	TR5004	2SC2240		
Q409B	TR5004	2SC2240		
Q410A	TR5005	2SA970		
Q410B	TR5005	2SA970		
Q411A	TR5004	2SC2240		
Q411B	TR5004	2SC2240		
Q412A	TR5005	2SA970		
Q413A	TR0209	2SC2238		
Q413B	TR0209	2SC2238		
Q414A	TR0210	TR. 2SA968		
Q414B	TR0210	TR. 2SA968		
R110A	TD0208	Diode Constant Current	10YG 5.5	
R110B	TD0208	Diode Current Current	10YG 5.5	
R201A	RB0444	1M OHM	0.25W	
R201B	RB0444	1M OHM	0.25W	
R202A	RB0382	2.7K OHM	0.25W	
R202B	RB0382	2.7K OHM	0.25W	
R203A	RB0444	1M OHM	0.25W	
R203B	RB0444	1M OHM	0.25W	

SYMBOL NO.	PARTS NO.	DESCRIPTION		
R204A	RB0444	1M	OHM	0.25W
R204B	RB0444	1M	OHM	0.25W
R205A	RB0392	6.8K	OHM	0.25W
R205B	RB0392	6.8K	OHM	0.25W
R207A	RB0444	1M	OHM	0.25W
R207B	RB0444	1M	OHM	0.25W
R301A	RB0442	820K	OHM	0.25W
R301B	RB0442	820K	OHM	0.25W
R302A	RB0380	2.2K	OHM	0.25W
R302B	RB0380	2.2K	OHM	0.25W
R303A	RB0372	1K	OHM	0.25W
R303B	RB0372	1K	OHM	0.25W
R304A	RB0408	33K	OHM	0.25W
R304B	RB0408	33K	OHM	0.25W
R305A	RB0414	56K	OHM	0.25W
R305B	RB0414	56K	OHM	0.25W
R306A	RB0390	5.6K	OHM	0.25W
R306B	RB0390	5.6K	OHM	0.25W
R307A	RB0348	100	OHM	0.25W
R307B	RB0348	100	OHM	0.25W
R308A	RD2596	3.9K	OHM	0.5W
R308B	RD2596	3.9K	OHM	0.5W
R309A	RB0392	6.8K	OHM	0.25W
R309B	RB0392	6.8K	OHM	0.25W
R310A	RB0376	1.5K	OHM	0.25W
R310B	RB0376	1.5K	OHM	0.25W
R311A	RB0444	1M	OHM	0.25W
R311B	RB0444	1M	OHM	0.25W
R312A	RB0444	1M	OHM	0.25W
R312B	RB0444	1M	OHM	0.25W
R313A	RB0444	1M	OHM	0.25W
R313B	RB0444	1M	OHM	0.25W
R314A	RB0356	220	OHM	0.25W
R314B	RB0356	220	OHM	0.25W
R315A	RB0356	220	OHM	0.25W
R315B	RB0356	220	OHM	0.25W
R316A	RB0392	6.8K	OHM	0.25W
R316B	RB0392	6.8K	OHM	0.25W
R317A	RB0376	1.5K	OHM	0.25W
R317B	RB0376	1.5K	OHM	0.25W
R318A	RB0452	2.2M	OHM	0.25W
R318B	RB0452	2.2M	OHM	0.25W
R319A	RB0452	2.2M	OHM	0.25W
R319B	RB0452	2.2M	OHM	0.25W
R320A	RB0404	22K	OHM	0.25W
R320B	RB0404	22K	OHM	0.25W
R321A	RB0334	27	OHM	0.25W
R321B	RB0334	27	OHM	0.25W
R322A	RB0382	2.7K	OHM	0.25W
R322B	RB0382	2.7K	OHM	0.25W
R323A	RD2596	3.9K	OHM	0.5W
R323B	RD2596	3.9K	OHM	0.5W
R324A	RB0382	2.7K	OHM	0.25W

SYMBOL NO.	PARTS NO.	DESCRIPTION			
R324B	RB0382	2.7K	OHM	0.25W	
R325A	RB0400	15K	OHM	0.25W	
R325B	RB0400	15K	OHM	0.25W	
R326A	RB0366	560	OHM	0.25W	
R326B	RB0366	560	OHM	0.25W	
R328	RS2516	220	OHM	0.5W	Ro
R329	RS2518	330	OHM	0.5W	Ro
R401A	RD0431T	820K	OHM	0.25W	
R401A	RS1288	220	OHM	0.33W	Rf
R401B	RD0431T	820K	OHM	0.25W	
R401B	RS1288	220	OHM	0.33W	Rf
R402A	RD0466T	1K	OHM	0.25W	
R402A	RS1288	220	OHM	0.33W	Rf
R402B	RD0466T	1K	OHM	0.25W	
R402B	RS1288	220	OHM	0.33W	Rf
R403A	RS1265	22	OHM	0.25W	Rf
R403B	RS1265	22	OHM	0.25W	
R404A	RS1265	22	OHM	0.25W	
R404B	RS1265	22	OHM	0.25W	
R405A	RS1293	390	OHM	0.33W	Rf
R405B	RS1293	390	OHM	0.33W	Rf
R406A	RS1293	390	OHM	0.33W	Rf
R406B	RS1293	390	OHM	0.33W	Rf
R407A	RD0448T	33K	OHM	0.25W	
R407B	RD0448T	33K	OHM	0.25W	
R408A	RD0448T	33K	OHM	0.25W	
R408B	RD0448T	33K	OHM	0.25W	
R409A	RD0455T	8.2K	OHM	0.25W	
R409B	RD0455T	8.2K	OHM	0.25W	
R410A	RD0455T	8.2K	OHM	0.25W	
R410B	RD0455T	8.2K	OHM	0.25W	
R411A	RS1281	100	OHM	0.33W	Rf
R411B	RS1281	100	OHM	0.33W	Rf
R412A	RS1281	100	OHM	0.33W	Rf
R412B	RS1281	100	OHM	0.33W	Rf
R413A	RS1231	270	OHM	0.33W	Rf
R413B	RS1231	270	OHM	0.33W	Rf
R414A	RS1231	270	OHM	0.33W	Rf
R414B	RS1231	270	OHM	0.33W	Rf
R415A	RD0440T	150K	OHM	0.25W	
R415B	RD0440T	150K	OHM	0.25W	
R416A	RD0440T	150K	OHM	0.25W	
R416B	RD0440T	150K	OHM	0.25W	
R417A	RS2516	220K	OHM	0.25W	Ro
R417B	RS2516	220	OHM	0.5W	Ro
R418A	RG0601	0.33	OHM	5W	Rc
R418B	RG0601	0.33	OHM	5W	Rc
R419A	RS1281	100	OHM	0.33W	Rf
R419B	RS1281	100	OHM	0.33W	Rf
R420A	RS1281	100	OHM	0.33W	Rf
R420B	RS1281	100	OHM	0.33W	Rf
R421A	RD2586	1.5K	OHM	0.5W	
R421B	RD2586	1.5K	OHM	0.5W	

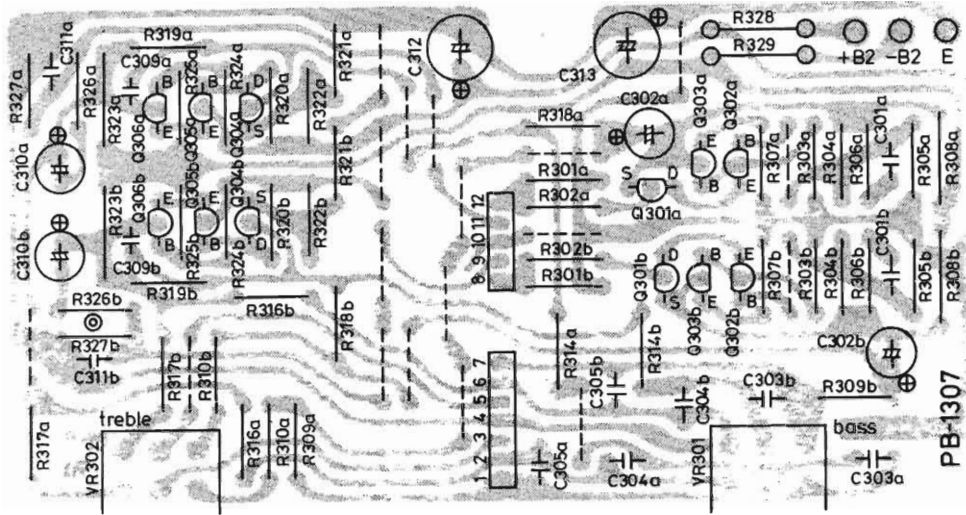
SYMBOL NO.	PARTS NO.	DESCRIPTION
R422A	RS1261	15 OHM 0.25W Rf
R422B	RS1261	15 OHM 0.25W Rf
R423A	RS2512	100 OHM 0.5W Ro
R423B	RS2512	100 OHM 0.5W Ro
R424A	RD2618	33K OHM 0.5W
R424B	RD2618	33K OHM 0.5W
R425A	RS1299	560 OHM 0.33W Rf
R425B	RS1299	560 OHM 0.33W Rf
R426A	RS1288	220 OHM 0.33W Rf
R426B	RS1288	220 OHM 0.33W Rf
R441A	RD0430T	1M OHM 0.25W
R441B	RD0430T	1M OHM 0.25W
R442A	RD0440T	150K OHM 0.25W
R442B	RD0440T	150K OHM 0.25W
R443A	RD0440T	150K OHM 0.25W
R443B	RD0440T	150K OHM 0.25W
R444A	RD0430T	1M OHM 0.25W
R444B	RD0430T	1M OHM 0.25W
R445A	RD0430T	1M OHM 0.25W
R445B	RD0430T	1M OHM 0.25W
R446A	RD0430T	1M OHM 0.25W
R446B	RD0430T	1M OHM 0.25W
R451	RS0126	4.7K OHM 2W Ro
R452	RS0126	4.7K OHM 2W Ro

PB-1306



SYMBOL NO.	PARTS NO.	DESCRIPTION	
C301ab	CQ0026	1000pF	50WV My
C302ab	CE2040	10uF	50WV E1
C303ab	CQ0027	6800pF	50WV My
C304ab	CQ0027	6800pF	50WV My
C305ab	CQ0008	0.056uF	50WV My
C309ab	CM0050	10pF	50WV Mi
C310ab	CE2040	10uF	50WV E1
C311ab	CQ0026	1000pF	50WV My
C312ab	CE0843	100uF	35WV E1
C313ab	CE0843	100uF	35WV E1
R301ab	RB0442	820K OHM	
R302ab	RB0380	2.2K OHM	
R303ab	RB0372	1K OHM	
R304ab	RB0408	33K OHM	
R305ab	RB0414	56K OHM	
R306ab	RB0414	56K OHM	
R307ab	RB0348	100 OHM	
R308ab	RD2596	3.9K OHM	0.5W Rf
R309ab	RB0392	6.8K OHM	
R310ab	RB0376	1.5K OHM	
R314ab	RB0356	220 OHM	
R316ab	RB0392	6.8K OHM	
R317ab	RB0376	1.5K OHM	
R318ab	RB0452	2.2M OHM	
R319ab	RB0452	2.2M OHM	
R320ab	RB0404	22K OHM	
R321ab	RB0334	27 OHM	
R322ab	RB0382	2.7K OHM	
R323ab	RD2596	3.9K OHM	0.5W Rf
R324ab	RB0382	2.7K OHM	
R325ab	RB0400	15K OHM	
R326ab	RB0366	560 OHM	
R327ab	RB0414	56K OHM	
R328ab	RS2516	220 OHM	0.5W Rf
R329ab	RS2518	330 OHM	0.5W Rf
Q301ab	TF0028	FET	2SK170
Q302ab	TR0198	TR.	2SC1815
Q303ab	TR0087	TR.	2SA1015
Q304ab	TF0028	FET	2SK170
Q305ab	TR0198	TR.	2SC1815
VR301	RV0247	Variable Resister	50K(BB)
VR302	RV0247	Variable Resister	50K(BB)

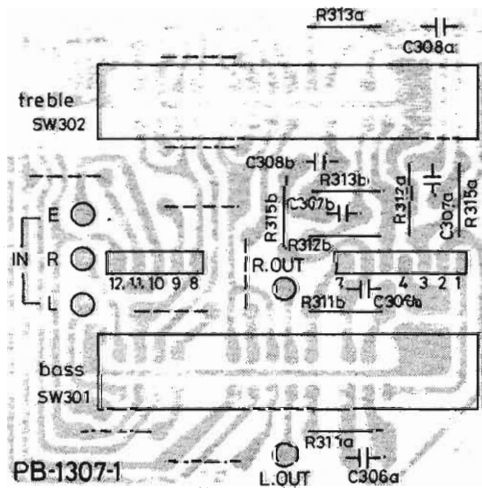
PB-1307



PB-1307-1

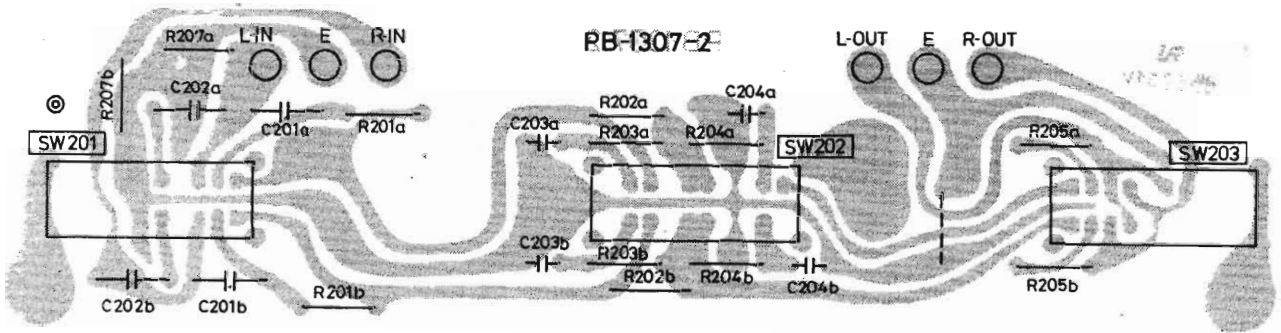
SYMBOL NO.	PARTS NO.	DESCRIPTION
C306ab	CQ0008	0.056uF 50WV My
C307ab	CQ0015	0.012uF 50WV My
C308ab	CQ0018	5600pF 50WV My
R311ab	RB0444	1M OHM
R312ab	RB0444	1M OHM
R313ab	RB0444	1M OHM
SW301	SL0052	6LR63N
SW301	SL0052	SLR63N

PB-1307-1



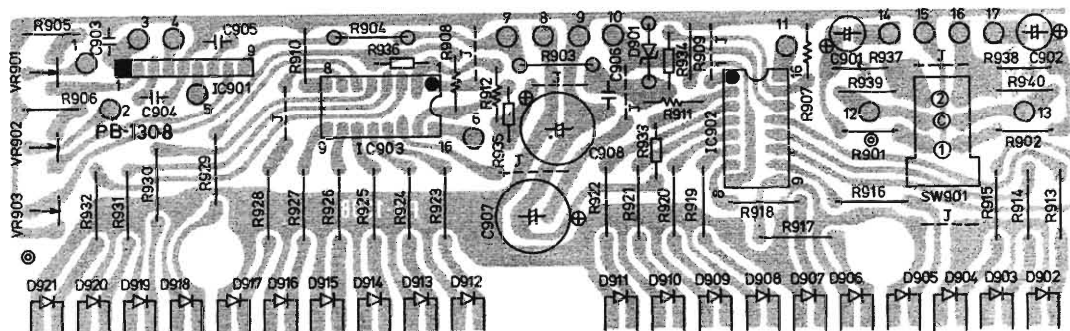
SYMBOL NO.	PARTS NO.	DESCRIPTION	
C201ab	CQ0004	0.15uF 50WV	My
C202ab	CQ0004	0.15uF 50WV	My
C203ab	CQ0021	3300pF 50WV	My
C204ab	CQ0018	5600pF 50WV	My
R201ab	RB0444	1M OHM	
R202ab	RB0382	2.7K OHM	
R203ab	RB0444	1M OHM	
R204ab	RB0444	1M OHM	
R205ab	RB0392	6.8K OHM	
R206ab	RB0392	6.8K OHM	
SW201	SL0050	SLR43S	
SW202	SL0050	SLR43S	
SW203	SL0050	SLR43S	

PB-1307-2



SYMBOL NO.	PARTS NO.	DESCRIPTION		
C901	CE0853	4.7 $\mu$ F	50V	E1
C902	CE0853	4.7 $\mu$ F	50V	E1
C903	CK0146	0.04 $\mu$ F	50V	Ce
C904	CQ0018	5600pF	50V	Mi
C905	CQ0018	5600pF	50V	Mi
C906	CK0146	0.04 $\mu$ F	50V	Ce
R901	RB0142	47K OHM	0.25W	
R902	RB0142	47K OHM	0.25W	
R903	RS1284	150 OHM		Rf
R904	RS1311	1.8K OHM		Rf
R905	RB0372	1K OHM		
R906	RB0372	1K OHM		
R907	RB0376	1.5K OHM		
R908	RB0372	1K OHM		
R909	RB0400	15K OHM		
R910	RB0400	15K OHM		
R911	RB0388	4.7K OHM		
R912	RB0388	4.7K OHM		
R913-32	RD0460	3.3K OHM		
IC901	TC0101	TA7318		
IC902	TC0102	TA7612AP		
IC903	TC0102	TA7612AP		
D901	TD0060	Diode Zener WZ061		
D902-21	TD0134	LED TLR205		
VR901	RT0015	Trimming Potentionmeter	1K OHM(B)	
VR902	RT0015	Trimming Potentionmeter	1K OHM(B)	
VR903	RT0026	Trimming Potentionmeter	4.7K OHM(B)	
SW901	SP0156	SUF12		

PB-1308





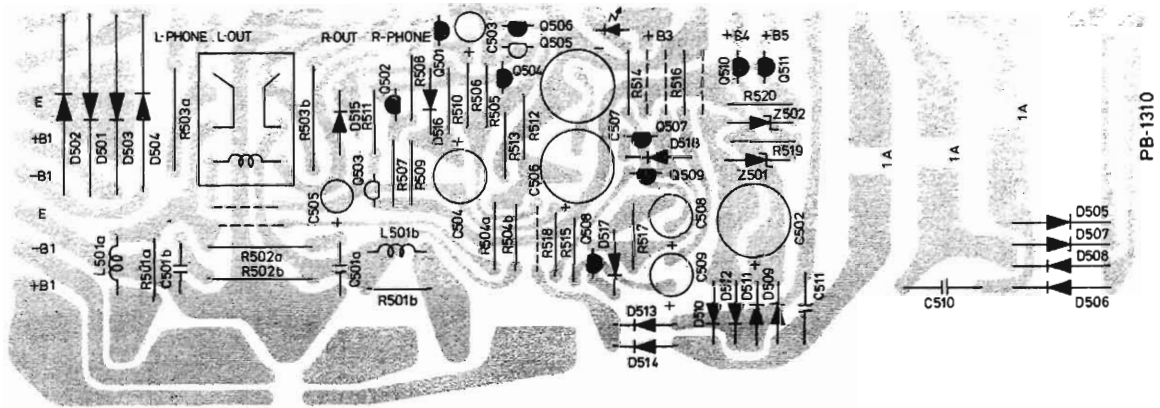
PB1310

SYMBOL NO.	PARTS NO.	DESCRIPTION		
C501A	CQ0613	0.1 $\mu$ F	100WV	Fi
C501B	CQ0613	0.1 $\mu$ F	100WV	Fi
C502	CE0846	470 $\mu$ F	35WV	E1
C503	CE0851	2.2 $\mu$ F	50WV	E1
C504	CE0821	100 $\mu$ F	16WV	E1
C505	CE0851	2.2 $\mu$ F	50WV	E1
C506	CE0834	330 $\mu$ F	25WV	E1
C507	CE0834	330 $\mu$ F	25WV	E1
C508	CE0840	22 $\mu$ F	35WV	E1
C509	CE0840	22 $\mu$ F	35WV	E1
R501A	RS2501	10	OHM 0.5W	Ro
R501B	RS2501	10	OHM 0.5W	Ro
R502A	RS5004	10	OHM 2W	Rm
R502B	RS5004	10	OHM 2W	Rm
R503A	RS0125	330	OHM 2W	Ro
R503B	RS0125	330	OHM 2W	Ro
R505	RD0458	4.7K	OHM 0.25W	
R506	RD0458	4.7K	OHM 0.25W	
R507	RD0459	3.9K	OHM 0.25W	
R509	RD0437	270K	OHM 0.25W	
R510	RD0458	4.7K	OHM 0.25W	
R511	RD0458	4.7K	OHM 0.25W	
R512	RD0468	680	OHM 0.25W	
R513	RD0464	1.5K	OHM 0.25W	
R514	RD0460	3.3K	OHM 0.25W	
R515	RD0460	3.3K	OHM 0.25W	
R516	RD0450	22K	OHM 0.25W	
R517	RD0450	22K	OHM 0.25W	
R518	RD0458	4.7K	OHM 0.25W	
R519	RS1296	470	OHM 0.33W	
R520	RS1305	1K	OHM 0.33W	
TZ501	TD0065	DIODE ZENER WZ-192		
TZ502	TD0079	DIODE ZENER WZ-140	14V	
D501	TD0105	DIODE	S3V20	
D502	TD0105	DIODE	S3V20	
D503	TD0105	DIODE	S3V20	
D504	TD0105	DIODE	S3V20	
D516	TD0197	DIODE	US1070	
D517	TD0197	DIODE	US1070	
D518	TD0197	DIODE	US1070	
L501A	LA1004	CHOKE-COIL		LUX-1004-2M/MH
L501B	LA1004	CHOKE-COIL		LUX-1004-2M/MH

SYMBOL NO.	PARTS NO.	DESCRIPTION
Q501	TR0198	TR. 2SC1815
Q502	TR0198	TR. 2SC1815
Q503	TR0008	TR. 2SCA562
Q504	TR0198	TR. 2SC1815
Q505	TR0087	TR. 2SA1015
Q506	TR0198	TR. 2SC1815
Q507	TR0198	TR. 2SC1815
Q508	TR0198	TR. 2SC1815
Q509	TR0198	TR. 2SC1815
Q510	TR0259	TR. 2SC2120
Q511	TR0259	TR. 2SC2120

RELAY AY5012 GZ-24HM

PB-1310

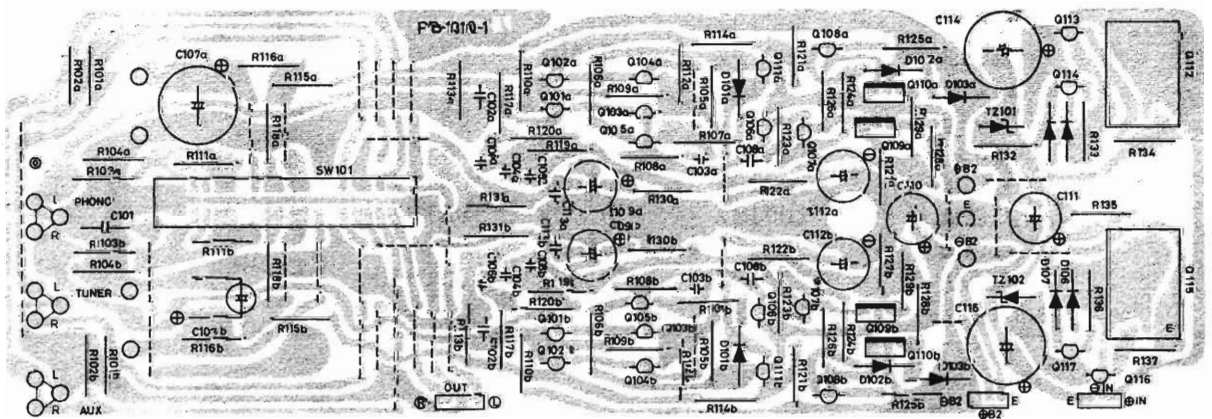


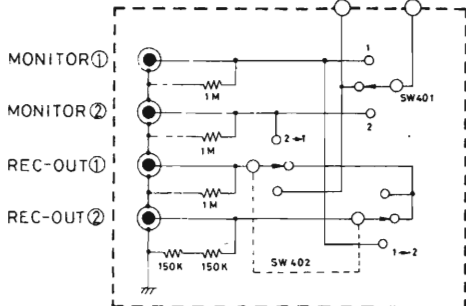
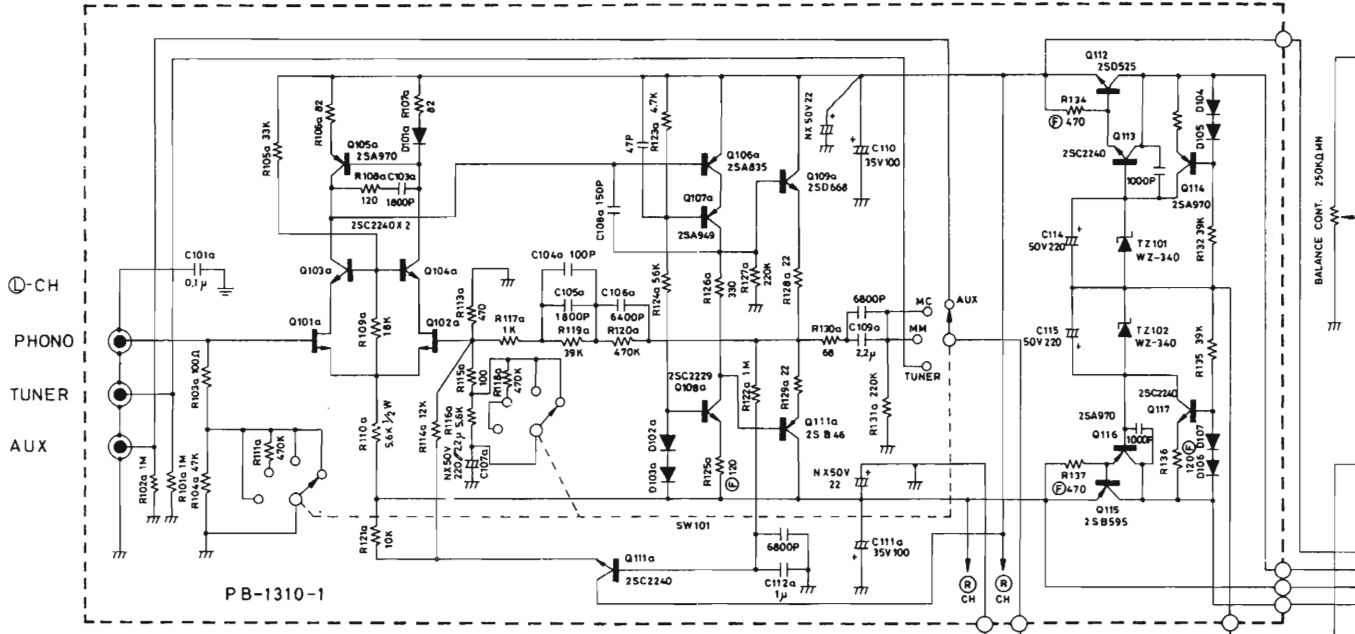
SYMBOL NO.	PARTS NO.	DESCRIPTION		
C101	CK0159	0.1 $\mu$ F	25WV	
C103A	CQ0068	1800pF	50WV	St
C103B	CQ0068	1800pF	50WV	St
C104A	CQ0068	1800pF	50WV	St
C104A	CQ0267	100pF	50WV	St
C104B	CQ0068	1800pF	50WV	St
C104B	CQ0267	100pF	50WV	St
C106A	CQ0284	6400pF	50WV	St
C106B	CQ0284	6400pF	50WV	St
C107A	CE2044	220 $\mu$ F	50WV	E1
C107B	CE2044	220 $\mu$ F	50WV	E1
C108A	CM0072	150pF	500WV	Mi
C108B	CM0072	150pF	500WV	Mi
C110	CE0843	100 $\mu$ F	35WV	E1
C111	CE0843	100 $\mu$ F	35WV	E1
C112A	CE2041	22 $\mu$ F	50WV	E1
C112B	CE2041	22 $\mu$ F	50WV	E1
C114	CE0859	220 $\mu$ F	50WV	E1
C115	CE0859	220 $\mu$ F	50WV	E1
R103A	RD0477	120 OHM	0.25W	
R103A	RD0478	100 OHM	0.25W	
R103B	RD0478	100 OHM	0.25W	
R103B	RD0477	120 OHM	0.25W	
R104A	RD0446	47K OHM	0.25W	
R104B	RD0446	47K OHM	0.25W	
R105A	RD0448	33K OHM	0.25W	
R105B	RD0448	33K OHM	0.25W	
R106A	RD0479	82 OHM	0.25W	
R106B	RD0479	82 OHM	0.25W	
R107A	RD0479	82 OHM	0.25W	
R107B	RD0479	82 OHM	0.25W	
R108A	RS1232	120 OHM	0.33W	
R108B	RS1232	120 OHM	0.33W	
R109A	RD0451	18K OHM	0.25W	
R109B	RD0451	18K OHM	0.25W	
R110A	RD2600	5.6K OHM	0.5W	
R110B	RD2600	5.6K OHM	0.5W	
R111A	RD0434	470K OHM	0.25W	
R111B	RD0434	470K OHM	0.25W	
R113A	RD0470	470 OHM	0.25W	
R113B	RD0470	470 OHM	0.25W	
R114A	RD0453	12K OHM	0.25W	
R114B	RD0453	12K OHM	0.25W	
R115A	RD0478	100 OHM	0.25W	
R115B	RD0478	100 OHM	0.25W	

PB1310-1

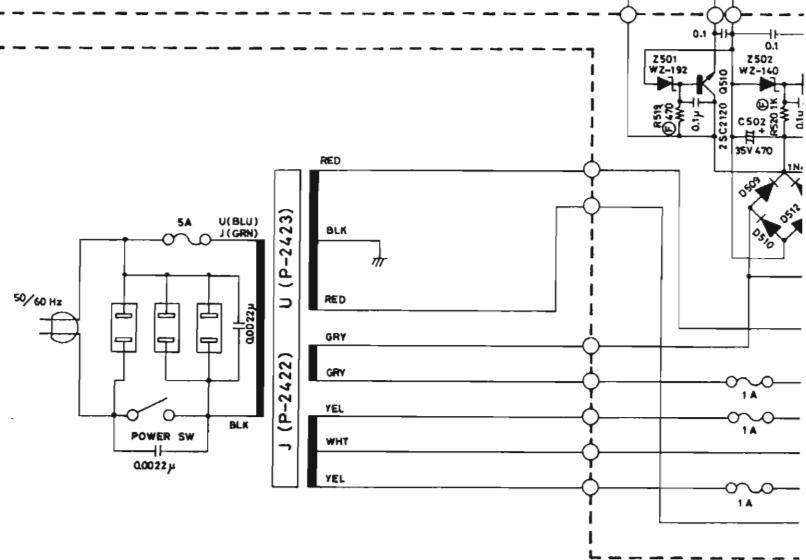
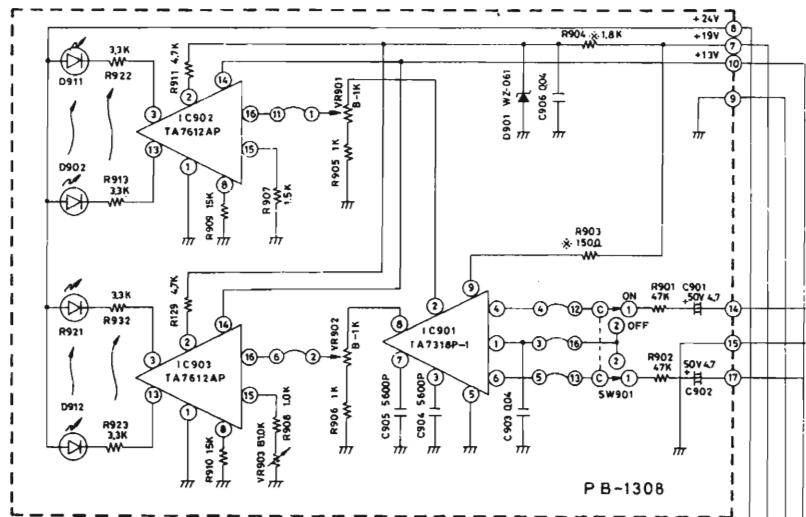
SYMBOL NO.	PARTS NO.	DESCRIPTION	
R116A	RD0457	5.6K OHM 0.25W	
R116B	RD0457	5.6K OHM 0.25W	
R117A	RD0466	1K OHM 0.25W	
R117B	RD0466	1K OHM 0.25W	
R118A	RD0434	470K OHM 0.25W	
R118B	RD0434	470K OHM 0.25W	
R119A	RD0447	39K OHM 0.25W	
R119B	RD0447	39K OHM 0.25W	
R120A	RD0434	470K OHM 0.25W	
R120B	RD0434	470K OHM 0.25W	
R121A	RD0454	10K OHM 0.25W	
R121B	RD0454	10K OHM 0.25W	
R123A	RD0458	4.7K OHM 0.25W	
R123B	RD0458	4.7K OHM 0.25W	
R124A	RD0445	56K OHM 0.25W	
R124B	RD0445	56K OHM 0.25W	
R126A	RD0472	330 OHM 0.25W	
R126B	RD0472	330 OHM 0.25W	
R127A	RD0438	220K OHM 0.25W	
R127B	RD0438	220K OHM 0.25W	
R128A	RD0486	22 OHM 0.25W	
R128B	RD0486	22 OHM 0.25W	
R129A	RD0486	22 OHM 0.25W	
R129B	RD0486	22 OHM 0.25W	
R130A	RD0480	68 OHM 0.25W	
R130B	RD0480	68 OHM 0.25W	
R131A	RD0438	220K OHM 0.25W	
R131B	RD0438	220K OHM 0.25W	
R132	RD0447	39K OHM 0.25W	
R133	RS1232	120 OHM 0.33W	Rf
R134	RS1296	470 OHM 0.33W	Rf
R135	RD0447	39K OHM 0.25W	
R136	RS1232	120 OHM 0.33W	Rf
R137	RS1296	470 OHM 0.33W	Rf
D101A	TD0197	DIODE US1070	
D101B	TD0197	DIODE US1070	
D102A	TD0197	DIODE US1070	
D102B	TD0197	DIODE US1070	
D103A	TD0197	DIODE US1070	
D103B	TD0197	DIODE US1070	
D106A	TD0197	DIODE US1070	
D106B	TD0197	DIODE US1070	
D107A	TD0197	DIODE US1070	
D107B	TD0197	DIODE US1070	
TZ101	TD0183	DIODE ZENER WZ-340	34V
TZ102	TD0183	DIODE ZENER WZ-340	34V

SYMBOL NO.	PARTS NO.	DESCRIPTION
Q101A	TF0028	FET 2SK170-BL-PAIR
Q101B	TF0028	FET 2SK170-BL-PAIR
Q102A	TF0028	FET 2SK170-BL-PAIR
Q102B	TF0028	FET 2SK170-BL-PAIR
Q103A	TR5004	TR. 2SC2240
Q103B	TR5004	TR. 2SC2240
Q104A	TR5004	TR. 2SC2240
Q104B	TR5004	TR. 2SC2240
Q105B	TR5005	TR. 2SA970
Q106A	TR0125	TR. 2SA836
Q106B	TR0125	TR. 2SA836
Q107A	TR0237	TR. 2SA949
Q107B	TR0237	TR. 2SA949
Q108A	TR0236	TR. 2SC2229
Q108B	TR0236	TR. 2SC2229
Q109A	TR0196	TR. 2SD668
Q109B	TR0196	TR. 2SD668
Q111A	TR0192	TR. 2SB648
Q111A	TR5004	TR. 2SC2240
Q111B	TR0192	TR. 2SB648
Q111B	TR5004	TR. 2SC2240
Q112	TR0177	TR. 2SD525
Q113	TR5004	TR. 2SC2240
Q114	TR5005	TR. 2SA970
Q115	TR0176	TR. 2SB595
Q116	TR5005	TR. 2SA970
Q117	TR5004	TR. 2SC2240
SW101	SS5018	SSR2640LD





- SW 101 FUNCTION SW
- SW 201 SUBSONIC FILTER SW
- SW 202 HIGH CUT FILTER SW
- SW 203 MODE SW
- SW 301 BASS TURN OVER SW
- SW 302 TREBLE TURN OVER SW
- SW 401 MONITOR SW
- SW 402 DUBBING SW
- SW 601 SPEAKER SW
- SW 901 PEAK IND SW



**L-480**

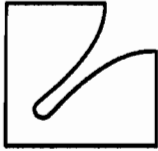






**LUX CORPORATION, JAPAN**

1-1, 1-CHOME, SHINSENRI-NISHIMACHI, TOYONAKASHI,  
OSAKA, JAPAN PHONE: 06-834-0004 TELEX: J63694



**LUX Audio of America Ltd.**  
160 Dupont Street • Plainview, New York 11803 • (516) 822-7070

March 10, 1980

**TO: ALL LUX AUTHORIZED DEALERS AND SERVICE STATIONS**

**SUBJECT: SETTING OF L480 OR L450**

The L480 and L450 employ quite effective heat sink of special water heat-loop type. Therefore, be sure to set the L480 or L450 precisely horizontal as otherwise heat dissipation becomes worse to damage the unit when unit is on for play or repair.

Richard Kawatani  
Chief Engineer

RK:df